

Instruction Manual

PLEASE READ THESE INSTRUCTIONS CAREFULLY BEFORE INSTALLATION

Item: DUL0301/0501 Series

Spec: Stainless Steel 3W/5W LED RECESSED LIGHT, IP67, 12VAC/DC

Note: 1. A 12V transformer or constant voltage driver is required (not included).

2. For DUL0501 Series, input wattage must be 50% higher than the rated LED wattage to insure LED start-up.

3. Fittings must be connected in parallel.

4. Always switch off the mains supply before installation.

1. For Installation without mounting sleeve

1.1 Drill a hole on a decking with a thickness of 12-24mm;

Make sure the depth inside is at least 100mm. (See Fig 1.1)

1.2 Connect the 12V supply cable via waterproof junction box or connector. (See Fig 1.2)

CAUTION: MUST USE IP67 OR IP68 JUNCTION BOX.

1.3 Connect the light fitting cable to the junction box. (See Fig 1.3)

1.4 Switch on the mains supply, check and make sure the light fitting is on.

1.5 Locate the light fitting into position securely.

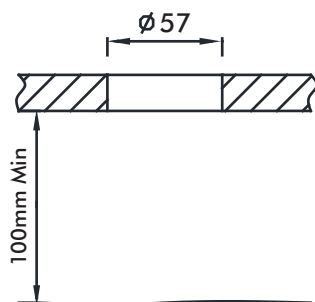


Fig 1.1

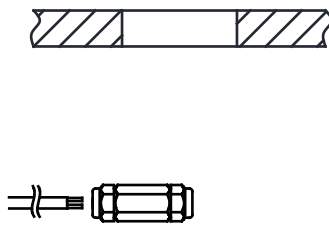


Fig 1.2

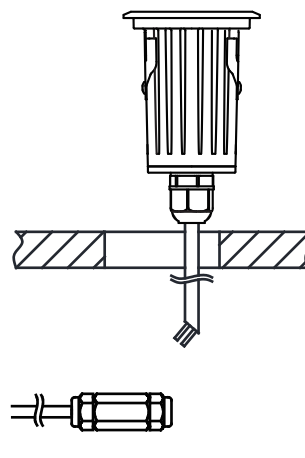


Fig 1.3

2. For Installation with mounting sleeve

2.1 Recess the mounting sleeve into ground, always leave enough space under the mounting sleeve, for the waterproof junction box and gravel for drainage.

The mounting sleeve is 120mm in height. (See Fig 2.1)

2.2 Connect the 12V supply cable via waterproof junction box or connector. (See Fig 2.2)

CAUTION: MUST USE IP67 OR IP68 JUNCTION BOX.

2.3 Connect the light fitting cable to the junction box. (See Fig 2.3)

2.4 Switch on the mains supply, check and make sure the light fitting is on.

2.5 Locate the light fitting into mounting sleeve securely.

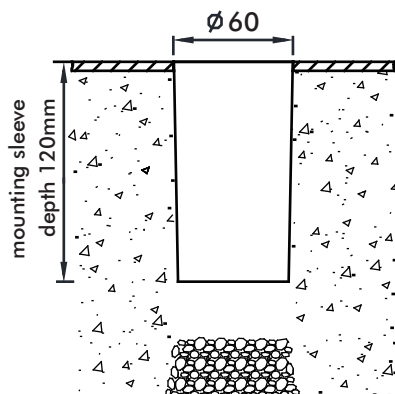


Fig 2.1

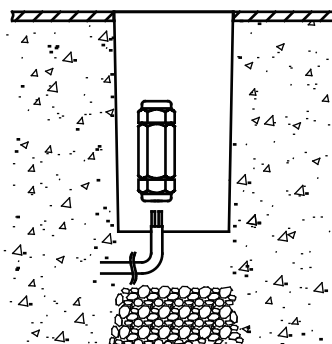


Fig 2.2

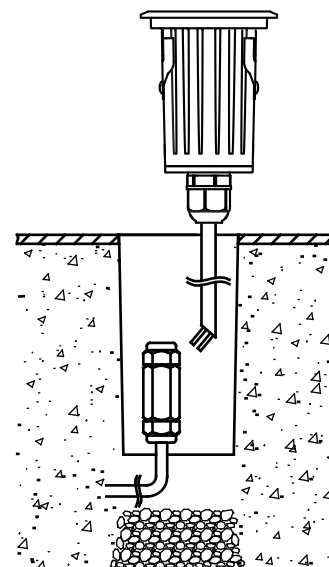


Fig 2.3

CAUTION:

ALL THE INSTALLATION MUST BE COMPLETED BY A QUALIFIED ELECTRICIAN!